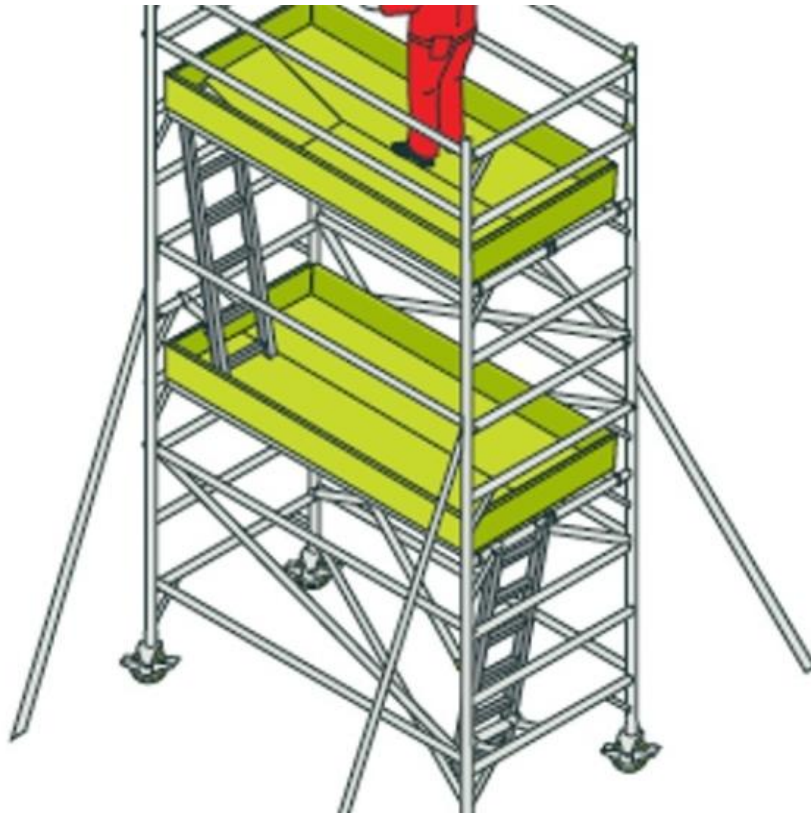


Sold



## Hire Service for Mobile Scaffold 'Not Your Typical Scaffolding Business'

I bet I capture your attention with the following highlights

- Normalised Net Profit to owner circa \$285k (9 months) or circa 375k (annualized)
- Significantly higher margins achieved than industry norm. (up to 800% on some products)
- Low staffing requirements, currently 2 x capable staff plus Vendor
- Assets estimated at over 330k (market replacement)
- Strong brand recognition
- Huge growth (still in growth mode)
- Strong cash flow (getting paid in advance)
- Tailored product and services aimed at both the commercial and residential sector
- Business easily relocatable - making a perfect bolt-on business
- Add-on opportunities
- Few competitors (if any) offering a comparable service and competitive pricing
- A lucrative, chargeable delivery service contributing to the great margins

Asking price only \$995,000

Price SOLD

Ref 3315

### Agent Details

Charles Bateman - 021 746 358

### Office Details

Barker Business Brokerage  
0064 9 448 1285



If you are interested in making money while you sleep and at the same time capitalising on a lucrative business opportunity in one of busiest industries, contact me quick for further information.

If you are interested and would like more information about this business, please visit the Barker Business Brokerage website, search reference number 3315 and submit the online Confidentiality Agreement. Once Charles receives your expression of interest he will be in touch regarding further information about this opportunity.

\*Source of information - Supplied by the Business Owner.

Licensed REAA 2008. Copyright Barker Business Brokerage Ltd 2022.